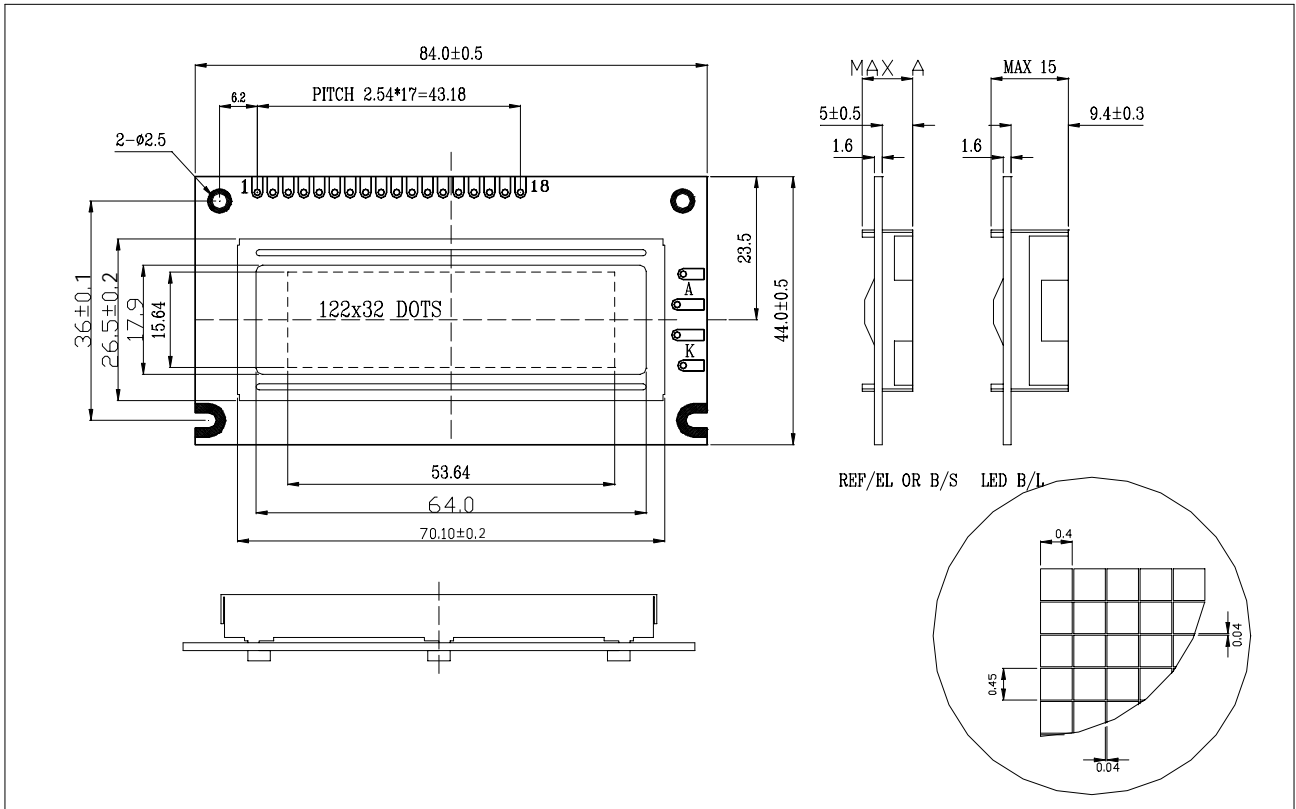


ATM12232A SERIES ----- GRAPHIC DOT MATRIX LCD MODULES

- * 122 x 32 Dots
- * View Angle (6:00)
- * 1/32 Duty, 1/5 Bias
- * LED Backlight (Yellow green)

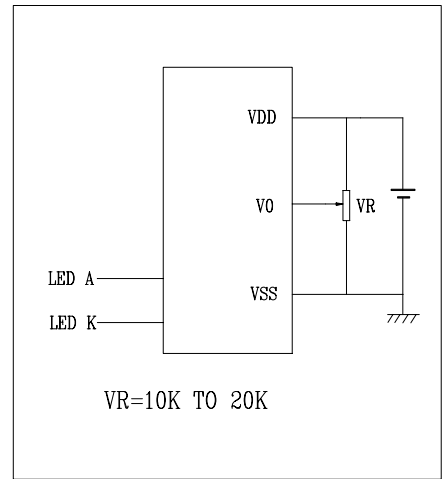
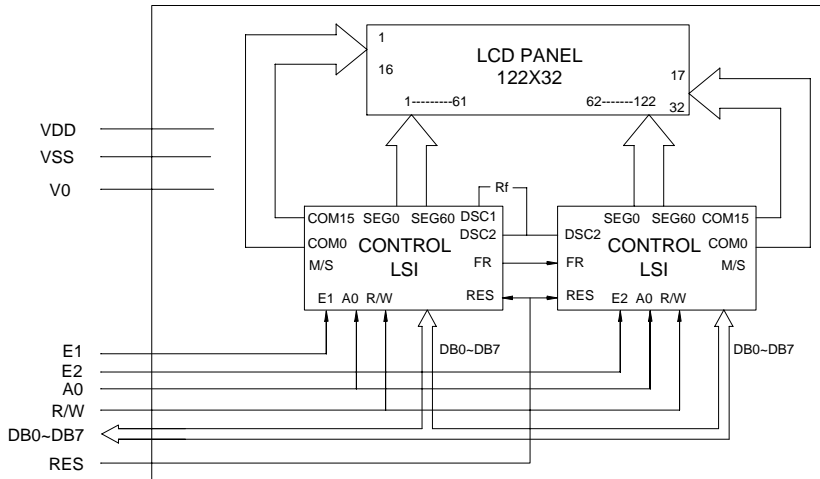
- * Transflective
- * STN (Yellow green)
- * Controller/Driver (PT6520)
- * Operating Temp (- 20 ~70)

External Dimensions



Block Diagram

Power Supply



Mechanical Specifications

Electrical Specifications

Item	Description(mm)	Item	Symbol	Min	Typ	Max	Unit
Size	84(L)x44(W)x15(H)	Supply Voltage for Logic	VDD	4.5	5.0	5.5	V
V.A	64.0(L)x17.9(W)	Supply Voltage for LCD	VLCD	5.5	6.0	6.5	V
Dot Pitch	0.44x0.49	Supply Current for Logic	IDD		1.0	3.0	mA
Dot Size	0.40x0.45	Supply Current for LED	IF			300	mA

Interface Signals---- J1

Pin	Symbol	Level	Description	Pin	Symbol	Level	Description
1	VSS	0V	Ground	7	R/W	H/L	H: Data Read L: Data Write
2	VDD	+5V	Supply Voltage for Logic	8	A0	--	L: Instruction H:data
3	V0	--	Operating Voltage for LCD	9~16	DB0~DB7	H/L	Data Bus Line
4	RST	H/L	Reset Signal	17	A	--	Back Light anode:+5V
5	E1	H,H-L	Enable Signal	18	K	--	Back Light cathode:0V
6	E2	H,H-L	Enable Signal				