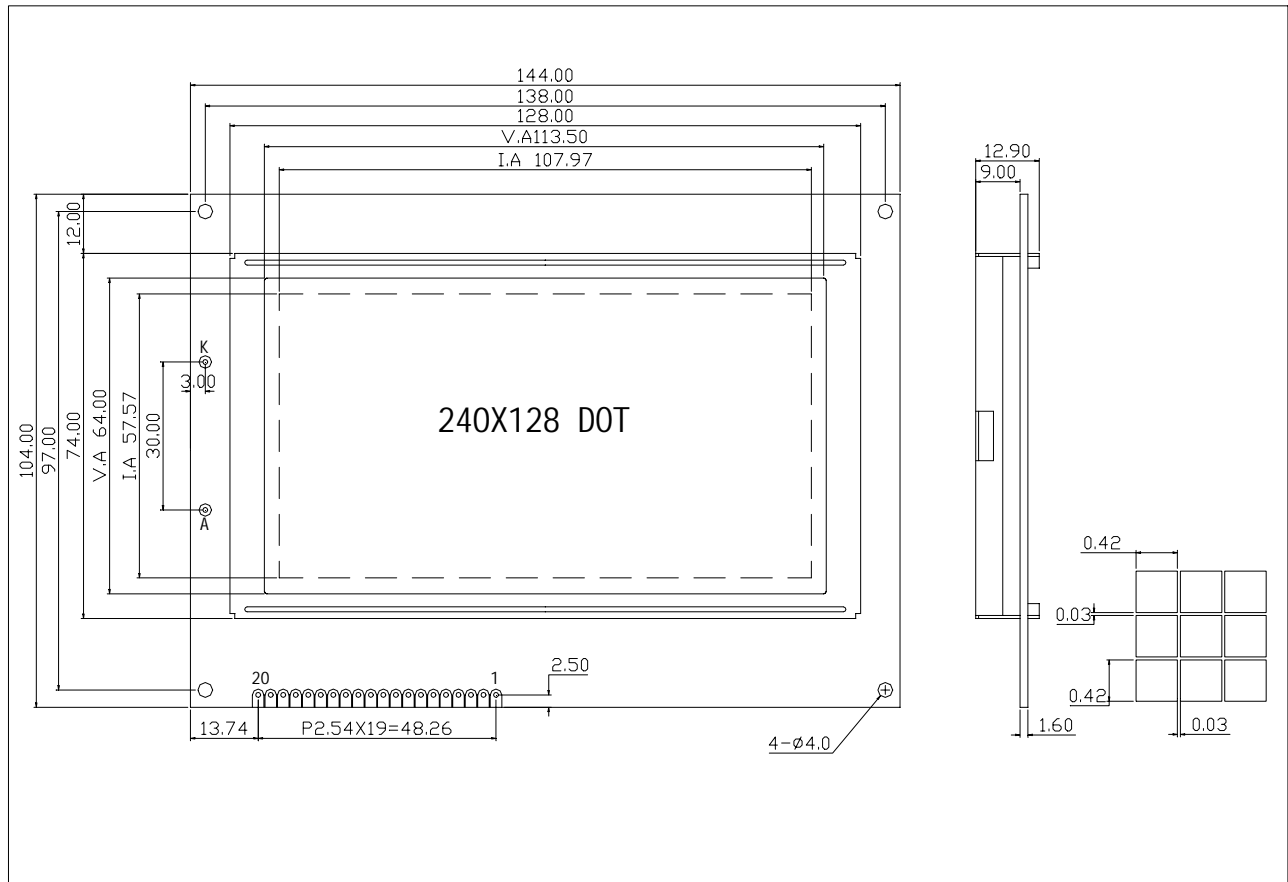


# ATM240128C SERIES----- GRAPHIC DOT MATRIX LCD MODULES

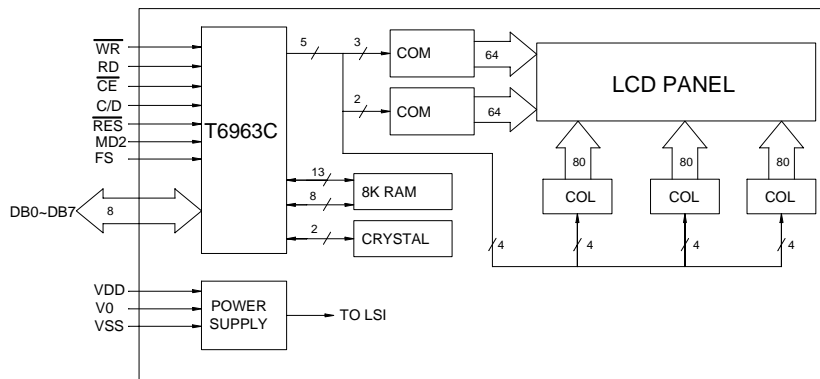
- \* 240 x 128 Dots
- \* View Angle (6:00)
- \* 1/128 Duty, 1/13 Bias
- \* LED Backlight ((Yellow-Green)

- \* Transflective
- \* STN (Yellow-Green)
- \* Controller/Driver (T6963C)
- \* Operating Temp (- 20 ~70 )

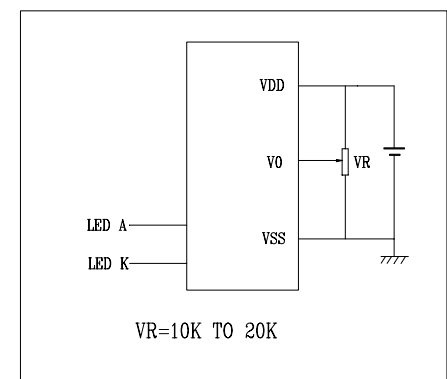
## External Dimensions



## Block Diagram



## Power Supply



## Mechanical Specifications

## Electrical Specifications

Item	Description(mm)	Item	Symbol	Min	Typ	Max	Unit
Size	144(L)x104(W)x12.9(H)	Supply Voltage for Logic	VDD	4.75	5.0	5.25	V
V.A	113.5(L)x64(W)	Supply Voltage for LCD	VLCD	0	18.0	20.0	V
Dot Pitch	0.45x0.45	Supply Current for Logic	IDD		10.0	20.0	mA
Dot Size	0.42x0.42	Supply Current for CCFL	IF			720	mA

## Interface Signals---- J1

Pin	Symbol	Level	Description	Pin	Symbol	Level	Description
1	VSS	0V	Ground	15	CE	L	Chip Enable
2	VDD	+5V	Supply Voltage for Logic	16	RES	L	Controller Reset
3	V0		Operating Voltage for LCD	17	VEE	-	Supply voltage for LCD
4	C/D	L	Code/data	18	MD2	H/L	Selection for number of columns
5	/RD	H/L	Read Signal	19	FS	H/L	Font select
6	/WR	H/L	Write Signal	20	NC	--	
7~14	DB0~DB7	H/L	Data Bus	A.K	LED	--	BackLight Power :+4.2V

