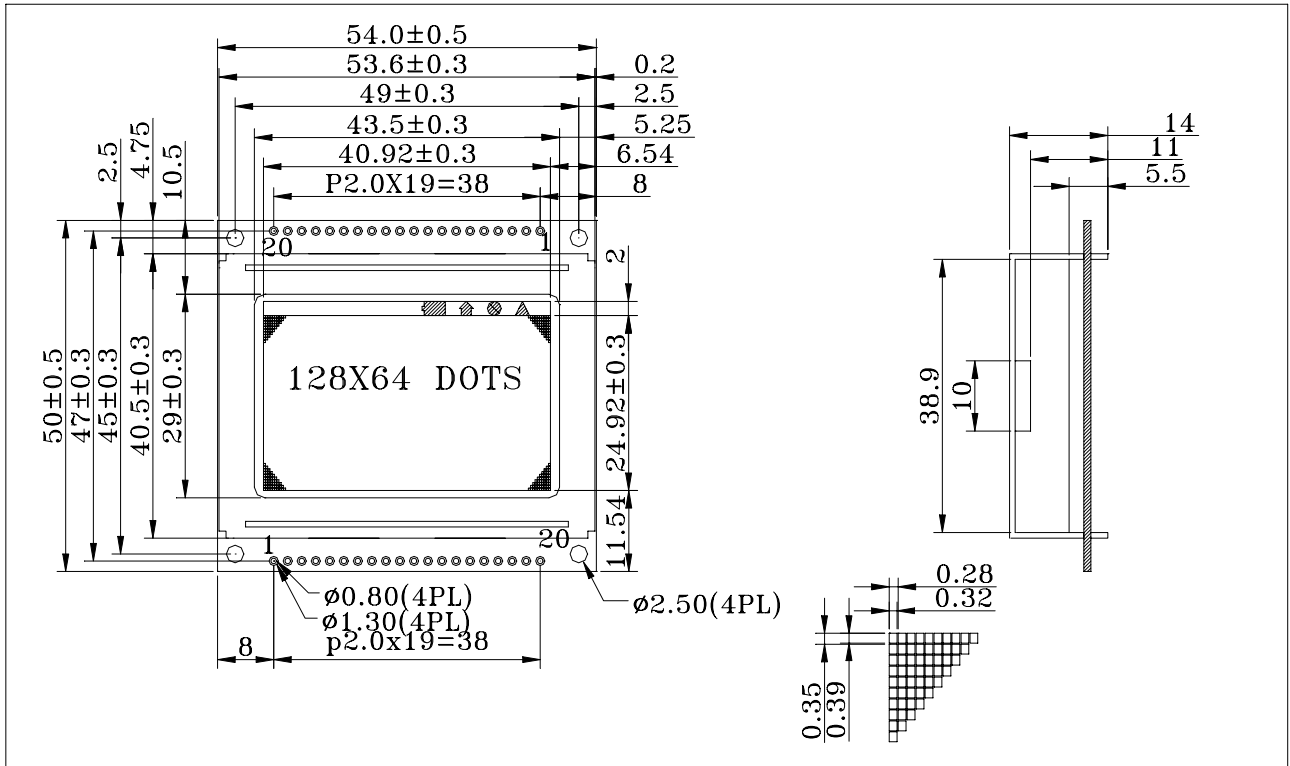


ATM12864N SERIES----- GRAPHIC DOT MATRIX LCD MODULES

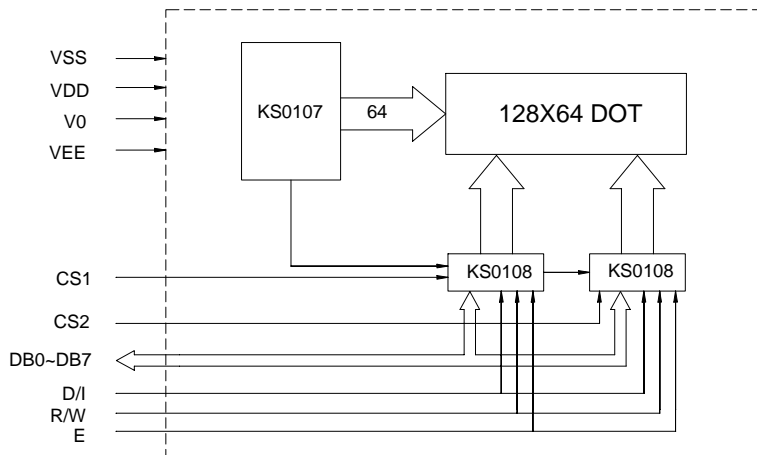
- * 128 x 64 Dots
- * View Angle (6:00)
- * 1/64 Duty, 1/9 Bias
- * LED Backlight (Yellow green)

- * Transflective
- * STN (Yellow green)
- * Controller/Driver (S6B0107)
- * Operating Temp (- 20 ~70)

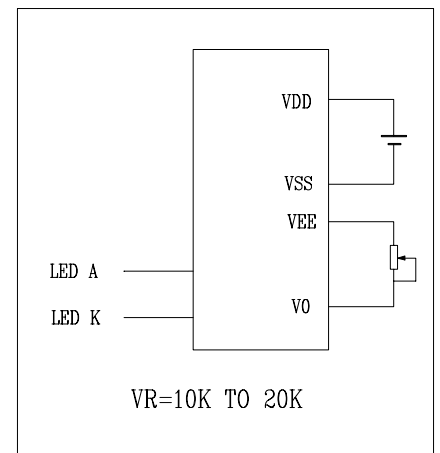
External Dimensions



Block Diagram



Power Supply



Mechanical Specifications

Electrical Specifications

| Item | Description(mm) | Item | Symbol | Min | Typ | Max | Unit |
|-----------|-------------------|--------------------------|--------|------|------|------|------|
| Size | 54(L)x50(W)x14(H) | Supply Voltage for Logic | VDD | 4.5 | 5.0 | 5.5 | V |
| V.A | 43.5(L)x29(W) | Supply Voltage for LCD | VLCD | 11.0 | 11.5 | 12.0 | V |
| Dot Pitch | 0.32x0.39 | Supply Current for Logic | IDD | | 1.0 | 3.0 | mA |
| Dot Size | 0.28x0.35 | Supply Current for LED | IF | | | 300 | mA |

Interface Signals---- J1

| Pin | Symbol | Level | Description | Pin | Symbol | Level | Description |
|-----|--------|-------|--|-------|---------|-------|-------------------------|
| 1 | VSS | 0V | Ground | 7~14 | DB0~DB7 | H/L | Data Bus Line |
| 2 | VDD | +5V | Supply Voltage for Logic | 15 | CS1 | H | Chip Selection for IC1 |
| 3 | V0 | -- | Operating Voltage for LCD | 16 | CS2 | H | Chip Selection for IC2 |
| 4 | D/I | H/L | H: Data Input L: Instruction Code Input | 17 | RST | L | Reset |
| 5 | R/W | H/L | H: Data Read L: Data Write | 18 | VEE | -- | Negative Voltage Output |
| 6 | E | H,H-L | Enable Signal | 19~20 | LED | -- | A:+5V K:0V |